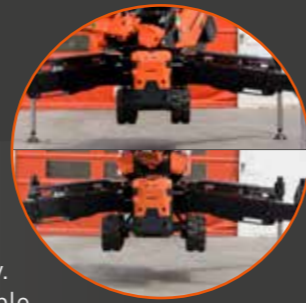


SPX650 Main Features



X-PATTERN OUTRIGGERS

With double extension and endless operating configurations.



EXTENDABLE TRACKS

To enhance crane stability.
Low marking tracks available as an option



1.2 ton HYDRAULIC JIB

1.2 ton hydraulic jib with rest position under the main boom.

AUTOMATIC POWER MODALITY

According to the lifted load it adjusts speed, maximum supplied power and engine performance.



J-CONNECT

Software developed by Jekko in order to improve remote service assistance and to have a general overview of the crane thanks to a real time connection with the machine



EMISSION FREE

Possibility of working indoor silently and without any kind of emission



2 ton RUNNER JIB

Stored on board.

ROTATION WITHIN THE REDUCED STABILIZATION AREA

2900x2900 mm



PICK & CARRY



MULTIPLE STABILITY AREAS

Intuitively displayed on the remote control's screen



LITHIUM BATTERY-POWERED

- » Three-phase 20 kW engine powered by lithium batteries (48 V, 220 Ah)
- » The machine can operate while battery is charging

Advantages:

- » Possibility of working indoor silently and without any kind of emission
- » Unchanged and constant performance even in case of intense use with heavy loads
- » Long battery life
- » Less maintenance costs

Jekko srl
Via Camparone, 1 - 31014 Colle Umberto (TV) Italy | info@jekko.it | www.jekko-cranes.com



SPX650

Product Catalog

SPX650

MAX 5000 kg

LxWxH 4460 x 980 x 2020 mm

max 23,6 m with jib

max 20,1 m with jib

The multifaced 5 ton mini crane which embodies all the latest major innovations engineered by Jekko.



Technical Information

Dimensions	LxWxH	4460 x 980 x 2020 mm
Stab Area	Min	2900 x 2900 mm
	Max	4500 x 4500 mm

Crane & Options Weights		Kg
SPX650		5700
Winch		80
Single fall		20
2-3 falls		20
4-6 falls		30
Outriggers		30
Mats		30
Tool Boxes		20
Hydraulic Jib		480
Runner Jib		50

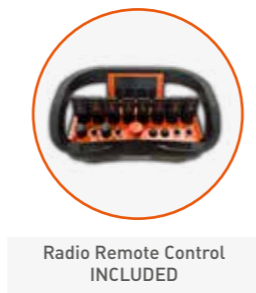
SPX650	LITHIUM BATTERY	48 V 400 Ah	48 V - 3F 16 kW - 21,5 Hp
--------	-----------------	----------------	------------------------------

Speed	2.9 km/h
-------	----------

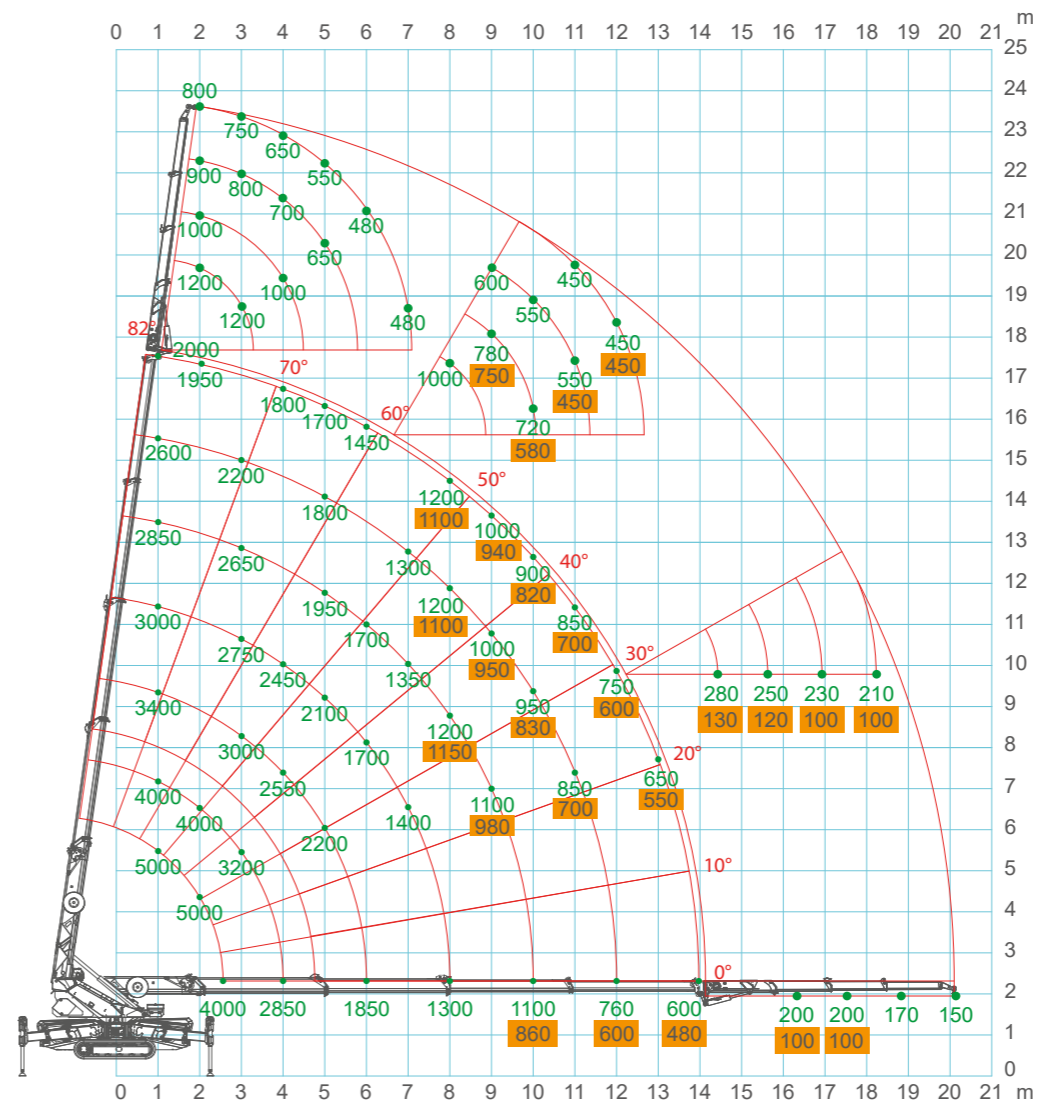
Gradeability	20° (36%)
--------------	-----------



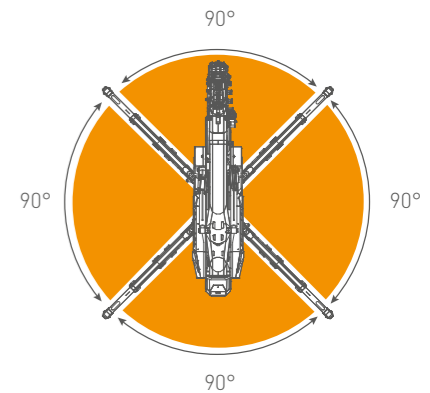
Loading Point
MAX 4800 kg



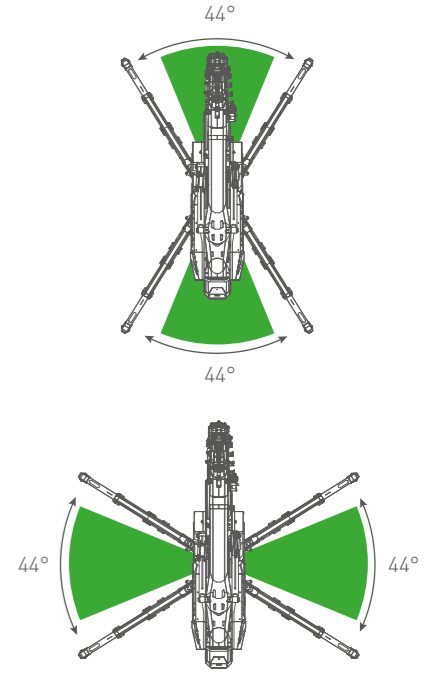
Load Chart



STANDARD CONDITIONS WITH 360° CONTINUOUS ROTATION



EXTRA PERFORMANCE IN REDUCED FOOTPRINT



Crane Options

CRANE OPTIONS

- HA-SPX650
- VAI
- ARTIC-OIL-650
- WUK-CL
- 2T-D8
- 4T-D8
- WT-650
- J-CONNECT: J-CON, J-CON-Y2, J-CON-NW, 3YW-650

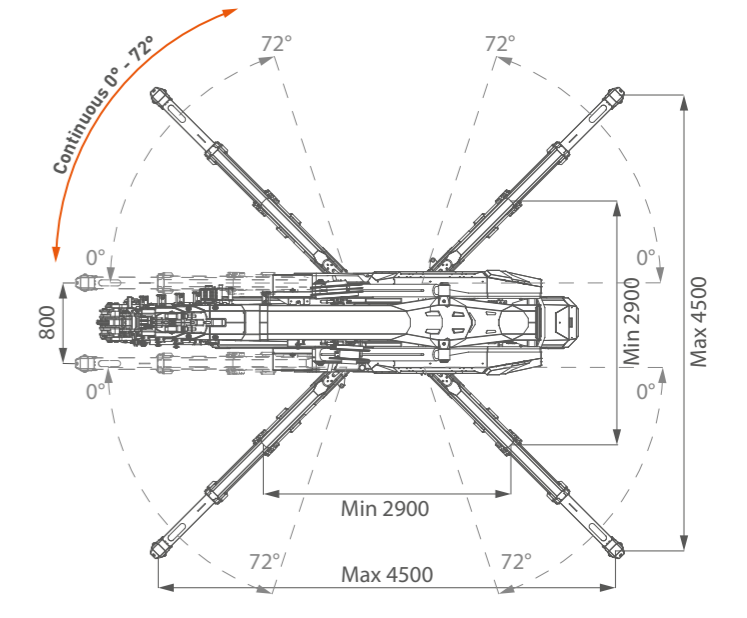
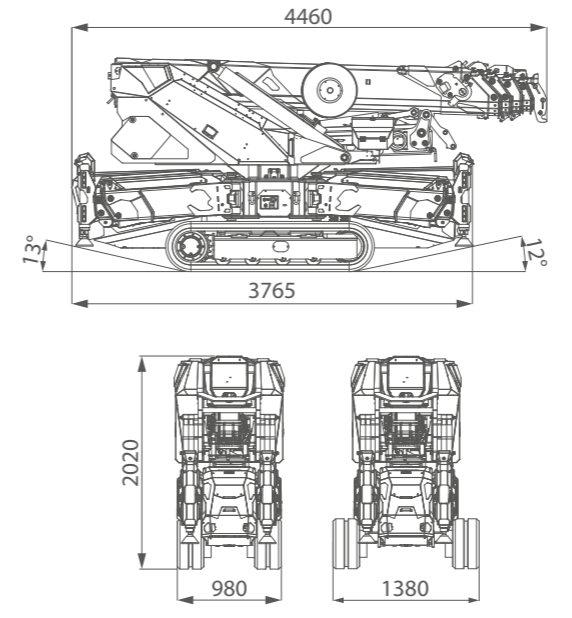
ATTACHMENTS & TOOLS

- JIB2000GX
- JIB1200.3HX
- TK-JIB1200
- W800.80-2, W800.65-P-2, W800.85-P-2
- Pully Block 6T

BATTERY CHARGERS

- BC-EXT-532-650
- BC3-110V60A

Dimensions & Footprint



All specifications and features herein described can be changed without prior advice. All indicated data are indicative only and are not binding as crane performs differently depending on its use.