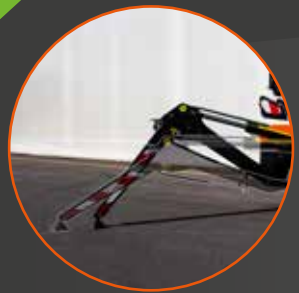


# SPX532 Main Features



## STABILISATION SYSTEM

Outriggers with double articulation and five different positions (0°-15°-46°-62°-90°), for 1.250 possible configurations.



## 1 ton HYDRAULIC JIB

1 t hydraulic jib with triple rest position (on the column, on the ground or under the main boom)



## EXTENDABLE TRACKS

Extension of tracks at an angle of 45° thanks independent cylinders, to both enhance stability and compensate slope or unevenness of the terrain.

## AUTOMATIC POWER MODALITY

According to the lifted load it adjusts speed, maximum supplied power and engine performance.



## PICK & CARRY

Maximum capacity of 400 kg



## J-CONNECT

Software developed by Jekko in order to improve remote service assistance and to have a general overview of the crane thanks to a real time connection with the machine



## 1.2 ton RUNNER JIB

Stored on board.



## HOOK OR WINCH MODE

With the same maximum lifting capacity, for a great operational versatility



## MULTIPLE STABILITY AREAS

Intuitively displayed on the remote control's screen



## LITHIUM BATTERY-POWERED

- » Three-phase 7 kW engine powered by lithium batteries (48 V, 220 Ah)
- » The machine can operate while battery is charging

### Advantages:

- » Possibility of working indoor silently and without any kind of emission
- » Unchanged and constant performance even in case of intense use with heavy loads
- » Long battery life
- » Less maintenance costs

Jekko srl  
Via Camparone, 1 - 31014 Colle Umberto (TV) Italy | info@jekko.it | www.jekko-cranes.com



# SPX532

# SPX532

MAX 3200 kg

LxWxH 3255 x 770 x 1960 mm

max 17,3 m with jib

max 14,8 m with jib

The user-friendliest crane ever, featuring the most advanced stability system. A top level performance is ensured with this new generation mini crane.



## Technical Information

Dimensions	LxWxH	3255 x 770 x 1960 mm
Sub Area	P.1	3800 x 3800 mm
	P.2	4400 x 4400 mm

Crane & Options Weights		Kg
SPX532		2520
Winch		50
Single fall		20
Multiple falls		50
Outriggers		17
Mats		
Hydraulic Jib		210
Runner Jib		50
Manual ext.		15
Pulley head		8

SPX532	LITHIUM BATTERY	48 V 200 Ah	48 V - 3F 7,7 kW
--------	-----------------	----------------	---------------------

Speed		2.7 km/h
-------	--	----------

Gradeability		20° (36%)
--------------	--	-----------

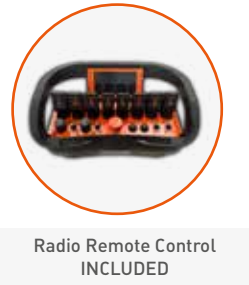
**Boom Length**  
2.5 - 10.8 m | 35 sec.

**Rotation**  
360° / 0.85 rpm

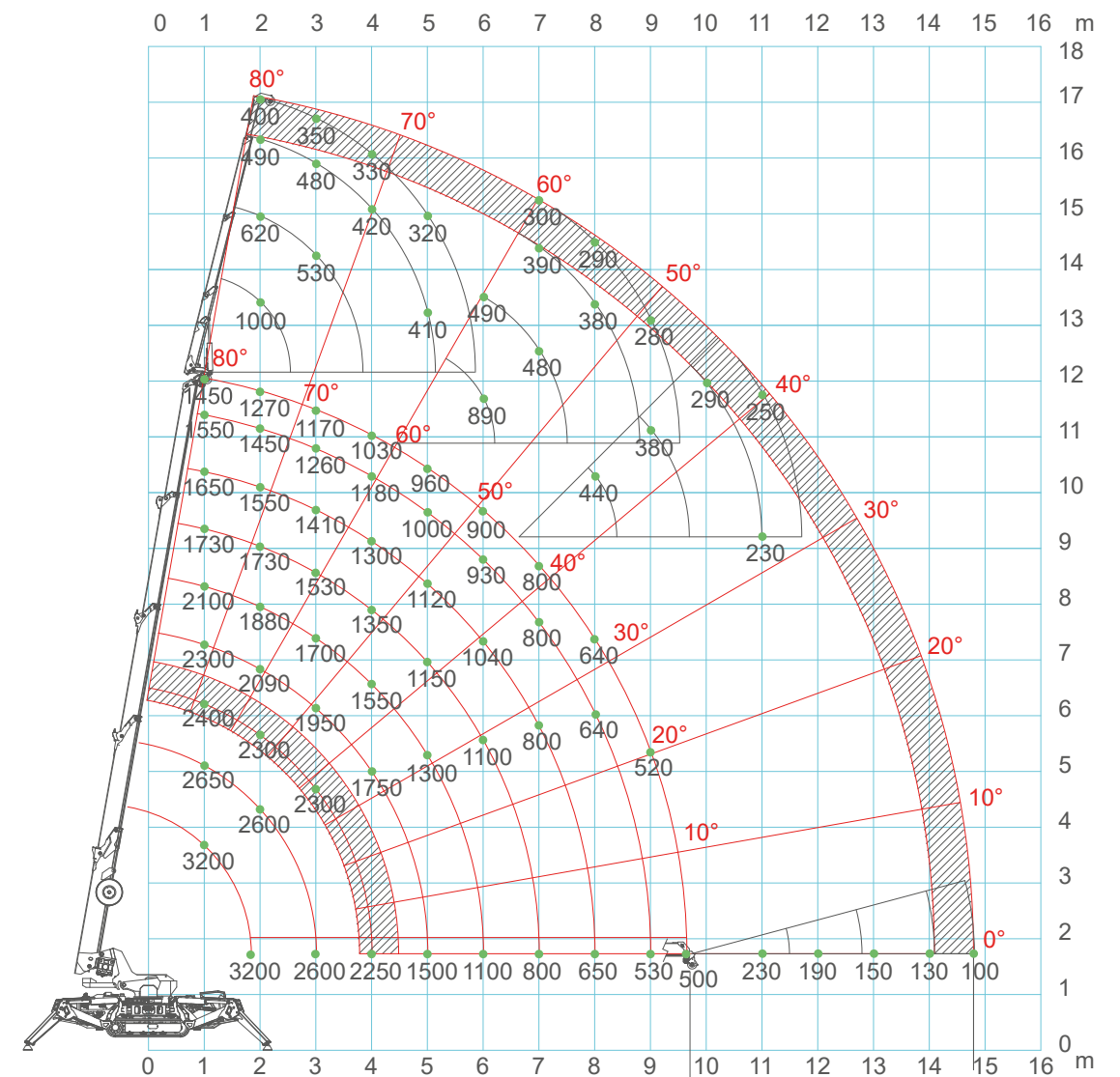
**Working Angle**  
0° / 80° | 30 sec.

**Loading Point**  
MAX 3000 kg

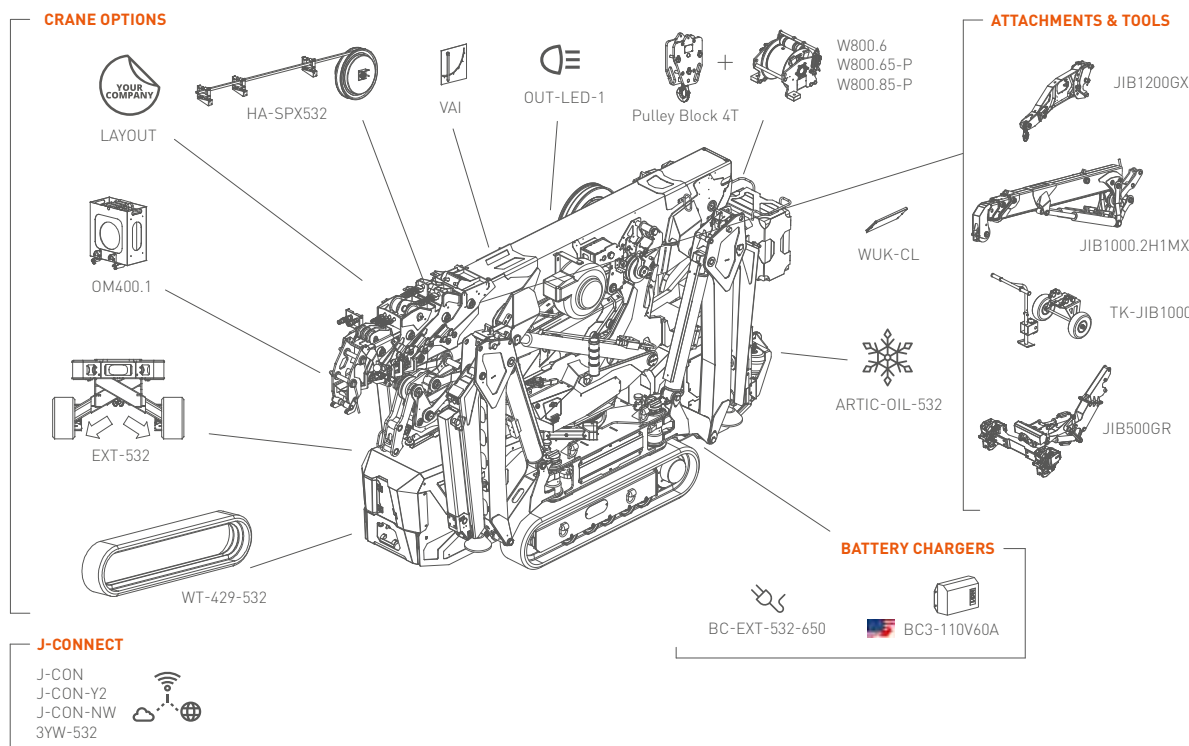
**Ground Pressure**  
0.63 kg/cm<sup>2</sup>



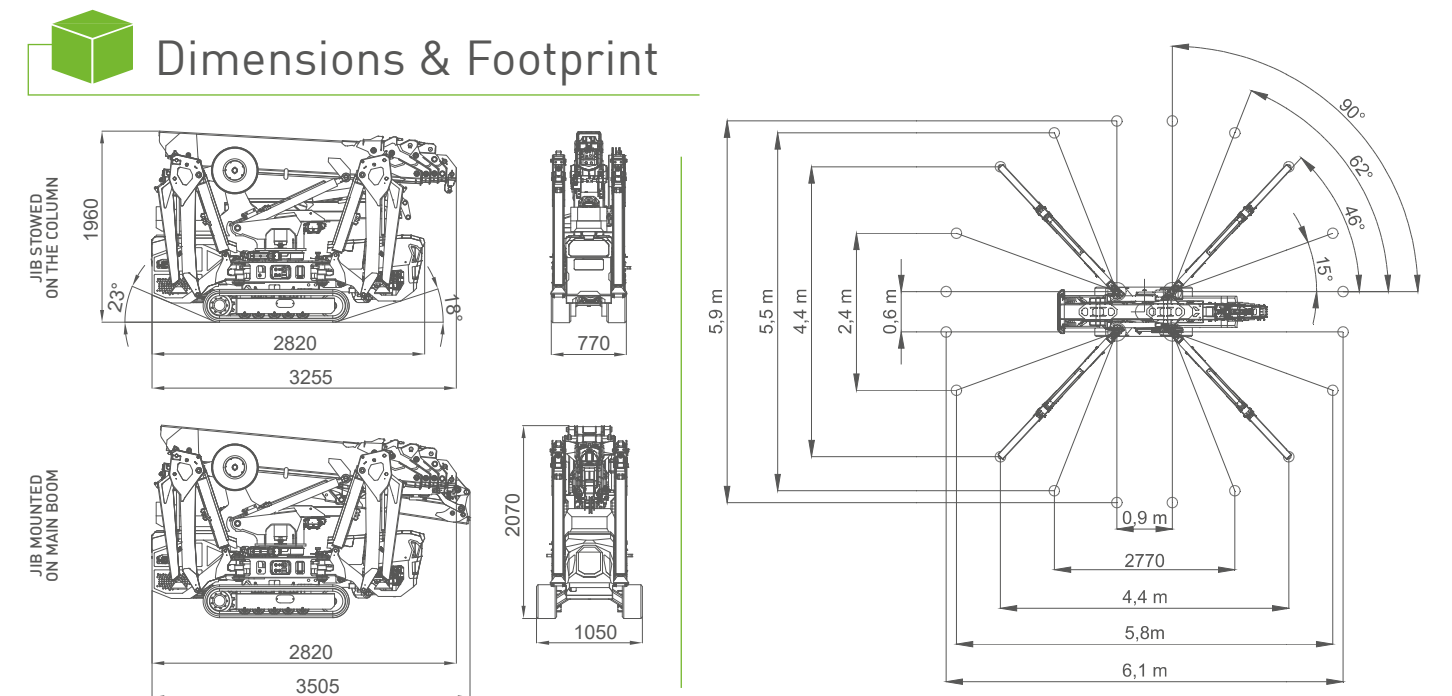
## Load Chart



## Crane Options



## Dimensions & Footprint



All specifications and features herein described can be changed without prior advice. All indicated data are indicative only and are not binding as crane performs differently depending on its use.