



MPK06

SALES INFO 

Jekko Minipicker
MPK06



 [PLAY VIDEO](#)

HOOK

Pick & Carry mode with 600 kg maximum payload. Wide range of applications, from housing industry to industrial maintenance.

 [PLAY VIDEO](#)

MANIPULATOR

- High lifting capacity (max 600 kg)
- Precise movements
- Ease of assembling and disassembling

 [PLAY VIDEO](#)



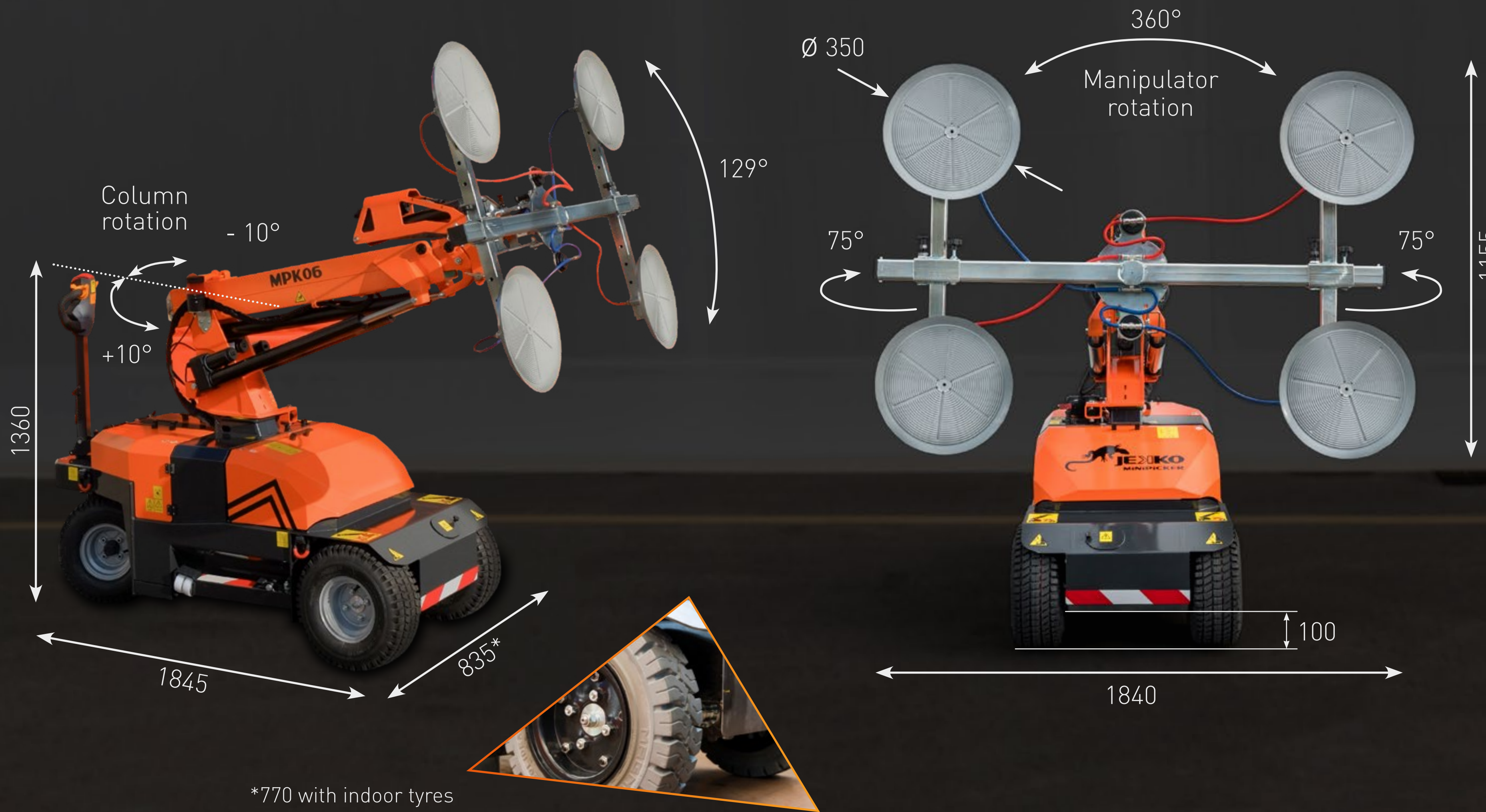
MPK06 was designed to be the ideal answer to the future challenges to:

- » Increase construction sites' **safety**
- » Compensate for the lack of **manpower**
- » **Optimise** the cost of personnel
- » **Speed up** installation and laying interventions
- » **Reduce** hiring costs, with or without operator
- » Give **new solutions** to customers

◆ ***The only minipicker that can operate with either hook or vacuum manipulator for glazing installation in compliance with the EN13000 standards.***

TECHNICAL FEATURES

MPK06



*770 with indoor tyres

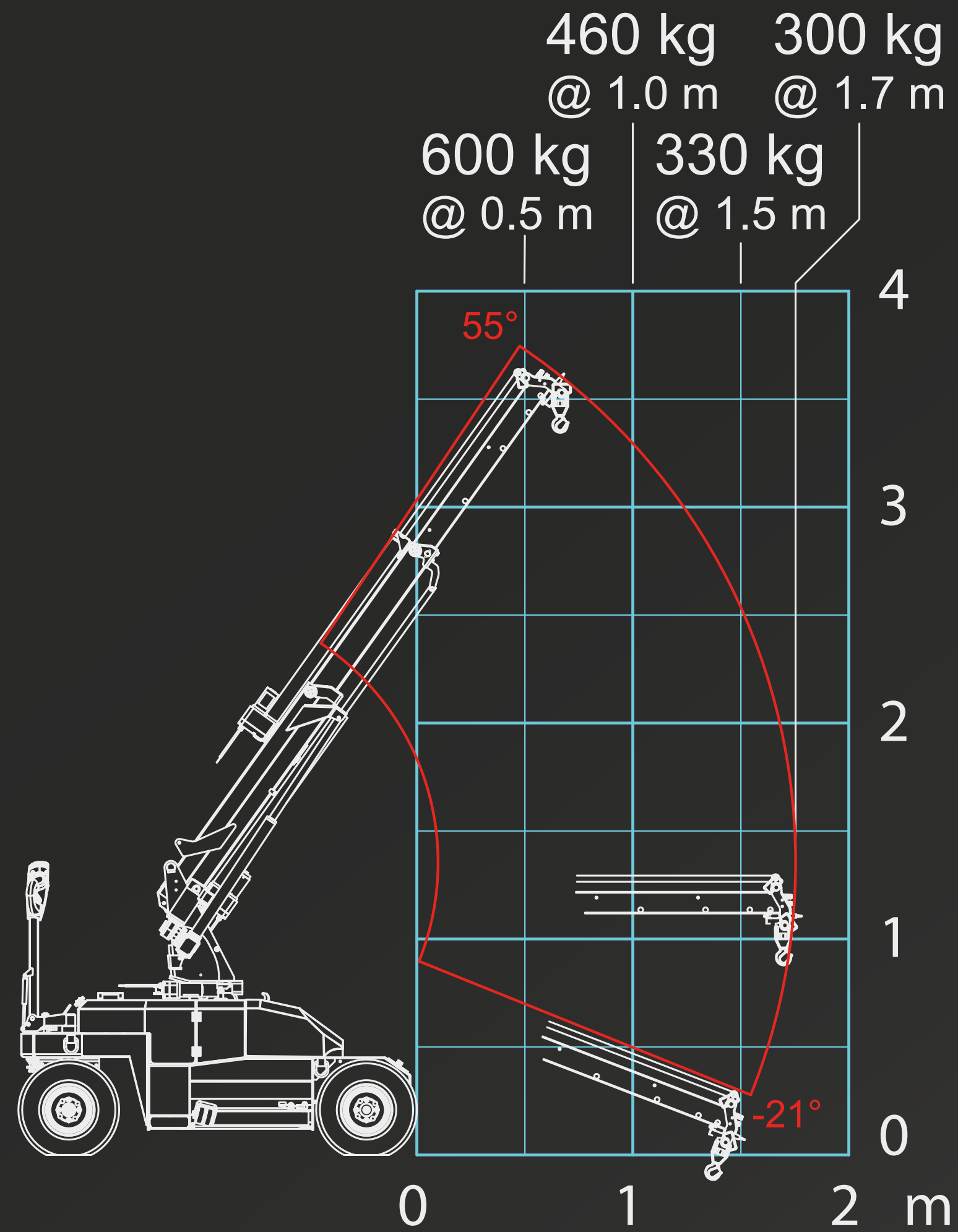
Dimens.	 L x W x H	1845 x 835 x 1360 mm
		Kg
Crane & Accessories	 Crane	650
	 Removable counterweight	270
	 JVM06	70
		990
MPK06	 Batteries	2 Batteries 12 V 155 Ah

LOAD CHARTS

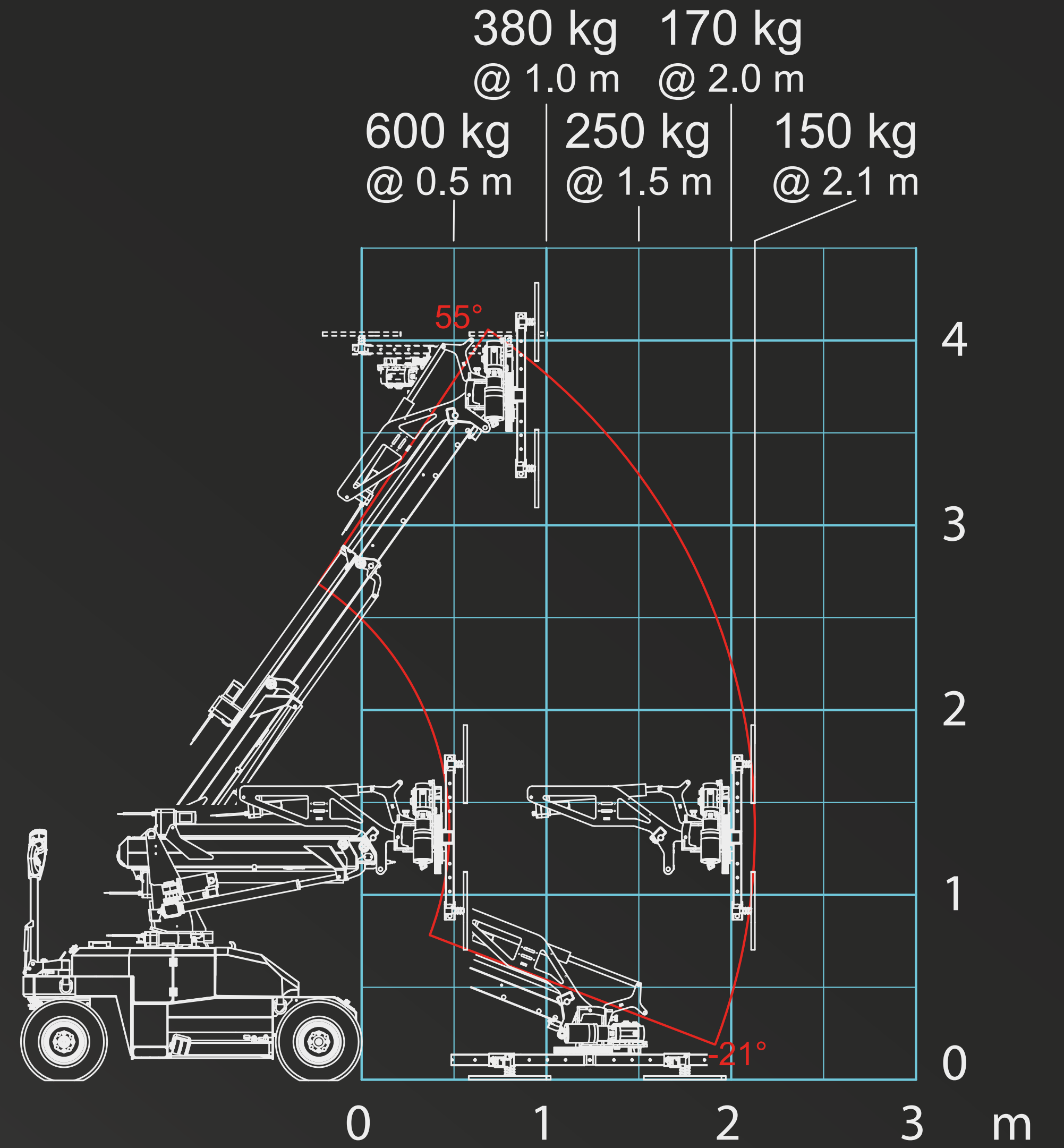
MPK06



HOOK MODE



GLASS MANIPULATOR



TECHNICAL SOLUTIONS

MPK06 is a minipicker designed to operate in construction sites: user-friendly and innovative solutions, putting sturdiness and practicality at first place.

FULLY ELECTRIC

The machine is 100% electrically powered, both during travel and arm operation.

- » The new **electric actuators**, whose performance compares that of regular hydraulic cylinders, deliver up to **three fast and smooth movements at a time** without performance loss.
- » It is fitted with a **3kW** motor powered by 2 x **12V-155Ah** traction batteries for constant performance during use.

Advantages: silence, possibility of emission-free indoor operation, no oil leaks, lower maintenance costs.

- » The machine is equipped with a **double USB port** and a practical **covered glove compartment**, to store working tools.

COVER FULLY MADE OF METAL SHEET

- » The covers, fully made of **metal sheet**, prevent dust, humidity and atmospheric agents from deteriorating the machine, ensuring a **long operational lifetime**.

Goal: to offer a solid and safe machine to the operator.

 [PLAY VIDEO](#)

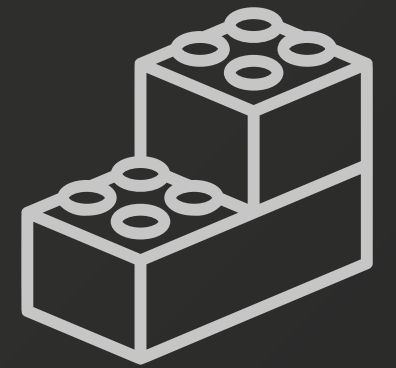


TECHNICAL SOLUTIONS

MANIPULATOR WITH 360° CONTINUOUS ROTATION AND ELECTRIC INCLINATION

The only machine characterised by a **360° continuous rotation** of the manipulator, electric or manual.

» With a maximum payload of **600 kg** and a variable working angle from **-38°** to **+91°**, MPK06 can operate installations at various height, **from the floor to the ceiling**.



[▶ PLAY VIDEO](#)

REMOVABLE COUNTERWEIGHT

» MPK06 is equipped with a simple system of **modular counterweights**, which can be **removed** thanks to the practical handle. Every block weighs around 20 kg, for a total of about 270 kg.



Advantage: In this way the minipicker can be **easily and quickly lightened**, getting a lower tare.

[▶ PLAY VIDEO](#)

[▶ PLAY VIDEO](#)

TECHNICAL SOLUTIONS

VACUUM BLOW-OFF SYSTEM

Blowing system inside the suction cup, for a **faster and safer detachment** of the glass. 

[PLAY VIDEO](#)

DOUBLE SEPARATED AND INTEGRATED PNEUMATIC CIRCUIT

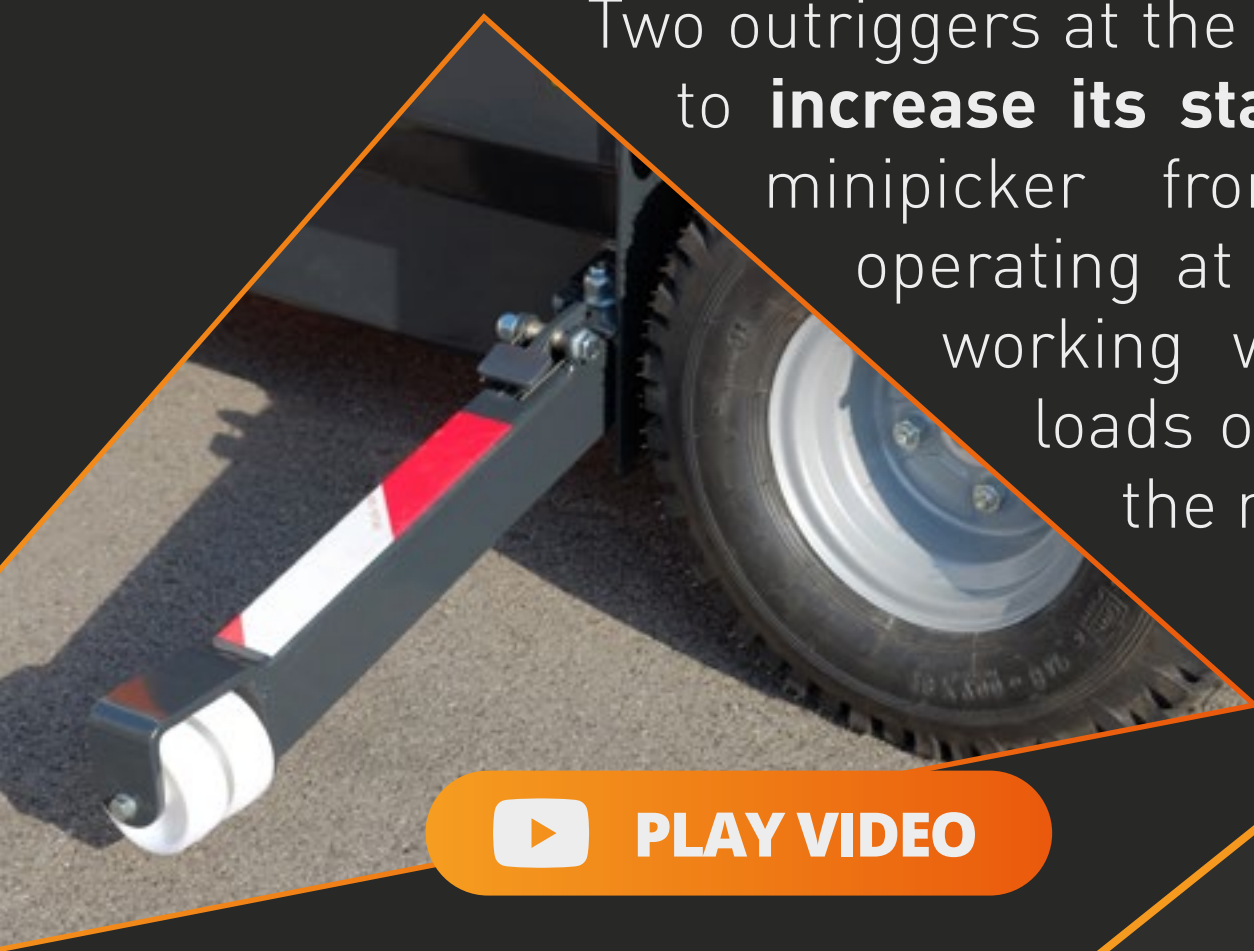
There are two **independent pneumatic circuits**, both of which always start working for the vacuum creation. In case of malfunctioning of one of them, the other one is sufficient to keep the vacuum, to ensure the maximum level of safety.

[PLAY VIDEO](#)

LED LIGHTS

Installed on the arm next to the manipulator, they indicate the vacuum system status.

LATERAL OUTRIGGERS



Two outriggers at the sides of the machine, in order to **increase its stability** and to prevent the minipicker from overturning while operating at relevant heights or working with unbalanced loads on one side of the machine.

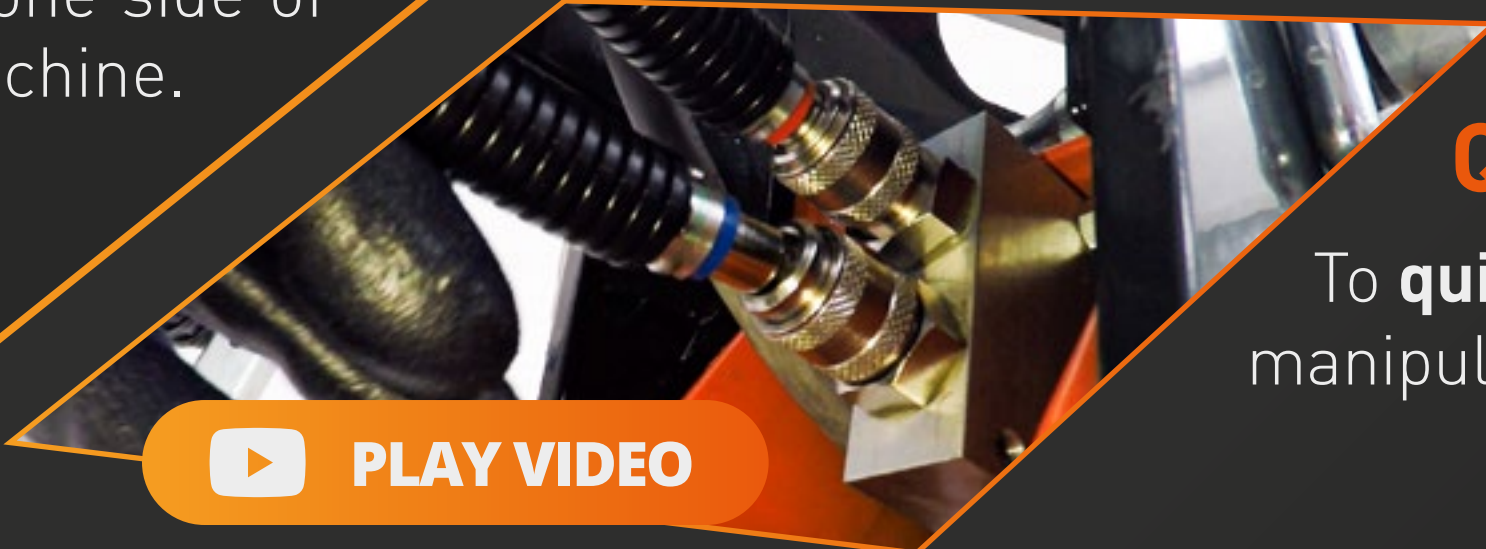
[PLAY VIDEO](#)

PRESSURE GAUGES ON THE MANIPULATOR

They are installed directly on the manipulator and they indicate the working pressure, enabling the operator to **easily verify** if the vacuum has been created or if there is any anomaly.

[PLAY VIDEO](#)

QUICK CONNECTIONS



To **quickly and safely** connect the manipulator to the vacuum circuit.

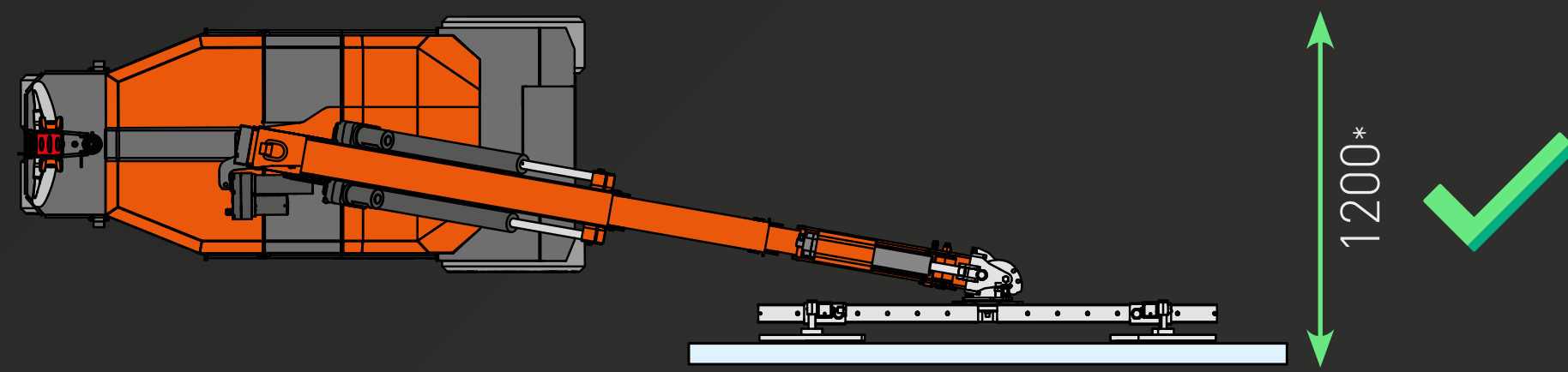
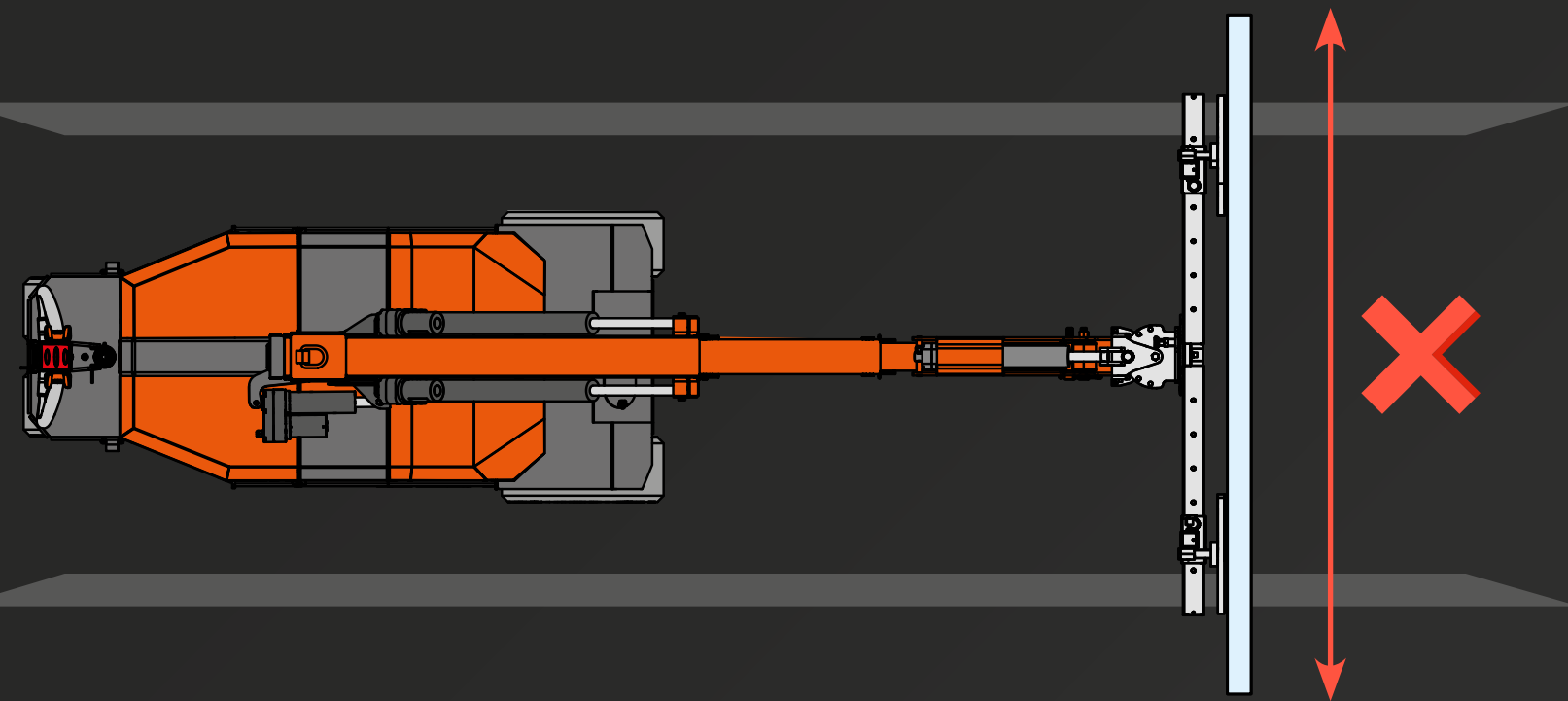
[PLAY VIDEO](#)

TECHNICAL SOLUTIONS

ELECTRIC ROTATION OF THE COLUMN

10° electric rotation of the column **to the right and to the left**:

» It is possible to **side shift** the load, still keeping a reduced overall size, even in case of bulky loads.



[PLAY VIDEO](#)

[PLAY VIDEO](#)

LITTLE MAINTENANCE REQUIRED

Consistently with the simplicity of the project, MPK06 **doesn't require a lot of maintenance.**

» The fully electric functioning doesn't require any replacement neither of oil and filters nor of hydraulic system components (pipes, fittings, etc.)

A great benefit both for the environment and for the wallet! 👍

Advantage: Also the less experienced operators can **easily maintain** the efficiency of their minipicker at best!

Advantage: It operates in Pick&Carry mode for a great accessibility even to the narrowest places.

* Reduced capacity



TECHNICAL SOLUTIONS

CONTROLS

- » The minipicker can be driven directly with the practical **on board drawbar** or with the **user-friendly wired remote control**.
- » At each button on the wired remote control corresponds a movement. Each movement is managed independently and the minipicker can deliver **up to three** of them at the same time.

PLAY VIDEO



TRAVEL MANAGEMENT WITH WIRED REMOTE CONTROL

The wired remote control, in combination with the **mechanical block on the drawbar**, allows to make the minipicker travel on wheels in a straight line.

*A **single operator** is enough for completing a work with the **highest precision!***

Advantage: It is possible to regulate the actuators speed (4 levels) for the **highest installation precision**.

PLAY VIDEO



PLAY VIDEO

Advantage: the operator can make the minipicker **travel back and forth staying near the place of laying**, without having to go back to drawbar every time.



TECHNICAL SOLUTIONS



TRANSPORTABILITY

Compact in size and reduced in weight, **MPK06** is ideal to be **transported with a regular van**, a truck is not necessary.

 **PLAY VIDEO**



» The **low minimum weight** of 650 kg (without counterweight and manipulator) is fundamental if the minipicker has to be **lifted with elevator**.

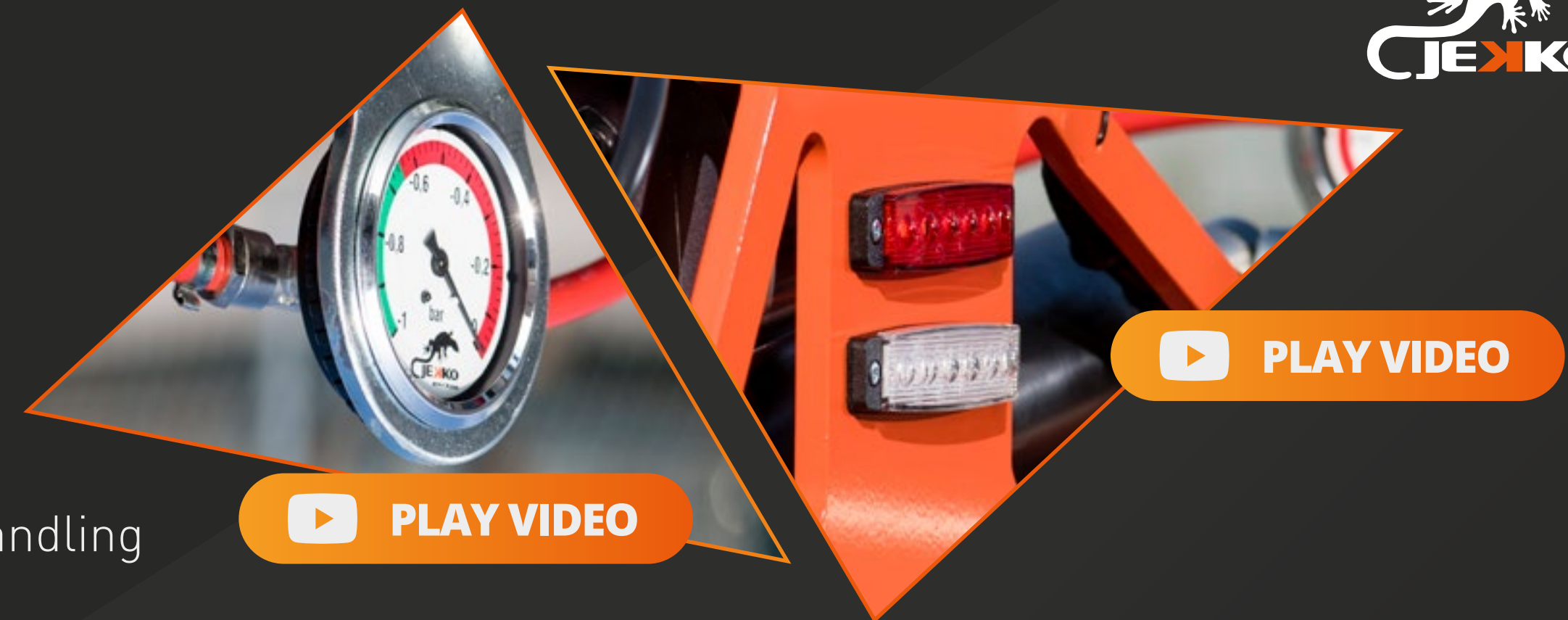


» The front-wheel drive allows the minipicker to **autonomously get on a loading ramp**.

SAFETY SYSTEMS

PRESSURE GAUGES, LED LIGHTS AND ACOUSTIC SIGNAL

- » The **pressure gauges** allows to check the working pressure, enabling the operator to **easily verify** if there is any anomaly.
- » The led lights are an **optical signal**: red light: vacuum hasn't been created yet; green light: vacuum has been created, the operator can proceed with the load handling
- » **Acoustic signal**: it is active throughout the whole vacuum creation process, until it is completed.



[PLAY VIDEO](#)

[PLAY VIDEO](#)

ANTI-MACHINE TILTING SYSTEM

A sensor located in the back part of the machine blocks the movements in case of overload, to prevent the machine from overturning.

EMERGENCY BUTTON ON THE WIRED REMOTE CONTROL

It stops any movement of the minipicker in case of emergency.



[PLAY VIDEO](#)

ANTI-CRUSH BUTTON FOR OPERATOR SAFETY

Button located on the top of the drawbar.



[PLAY VIDEO](#)

[PLAY VIDEO](#)

EMERGENCY UNLOCKING OF TRANSLATION

- » Mechanical release device located on the front side of the machine. In case of malfunctioning it allows to unlock the brake and to move the machine manually.
- » Ferrule for the mechanical unlocking of the actuators. In case of machine downtime it allows to move the arm of minipicker and to recover the load. .

ACCESSORIES

MPK06 can be fitted with many accessories to meet the different needs.



VACUUM GLASS MANIPULATOR

JVM06

[PLAY VIDEO](#)



RUNNER

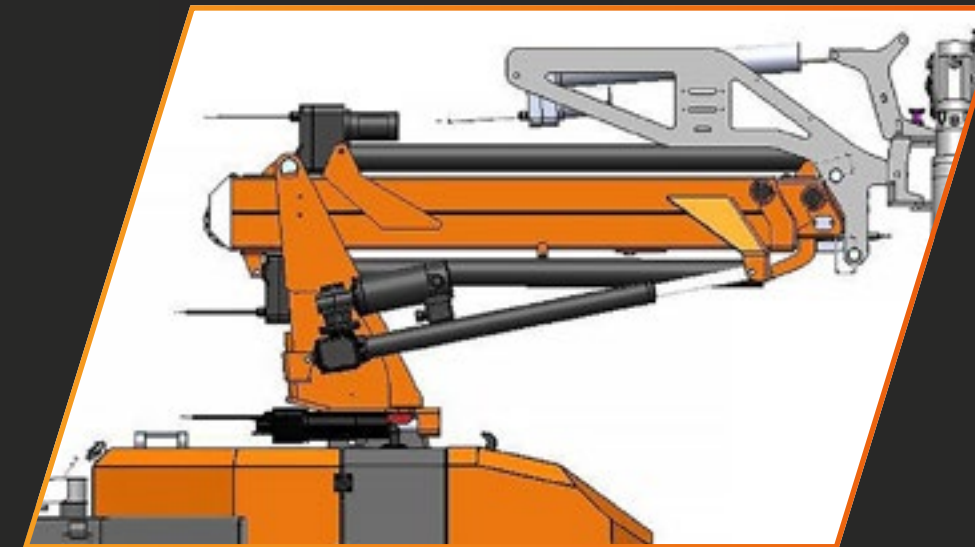
JIB-MPK06

[PLAY VIDEO](#)



VACUUM CERAMIC MANIPULATOR

JVM06-C



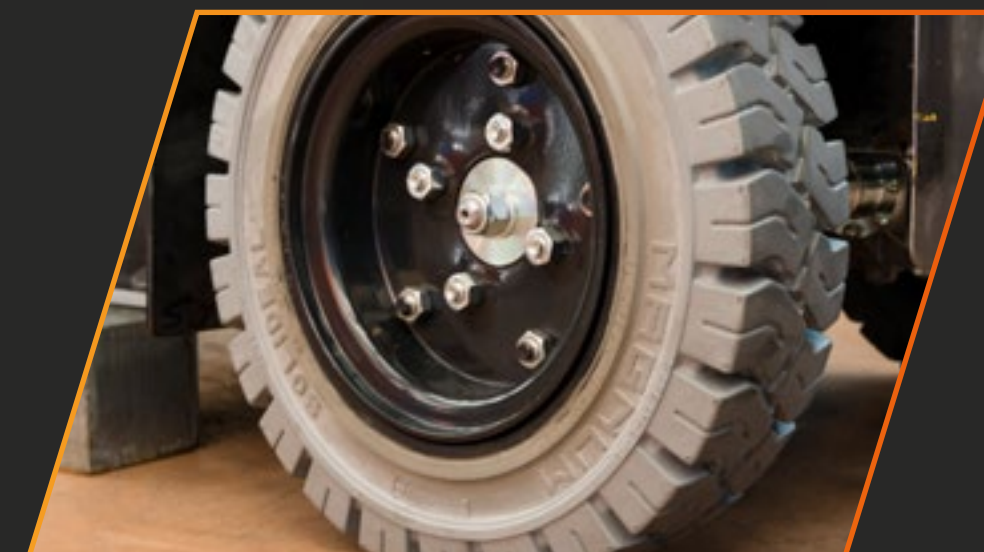
DOUBLE ELECTRIC BOOM EXTENSION



CONTINUOUS ELECTRIC ROTATION OF MANIPULATOR

JVM06EV

[PLAY VIDEO](#)



LOW MARKING INDOOR TYRES

WT-MPK04-06



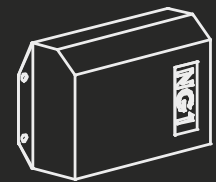
CUSTOMISED COLOR

PC03

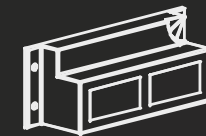
ACCESSORIES AND CONFIGURATIONS

MPK06 can be fitted with **many accessories** to meet the different needs.

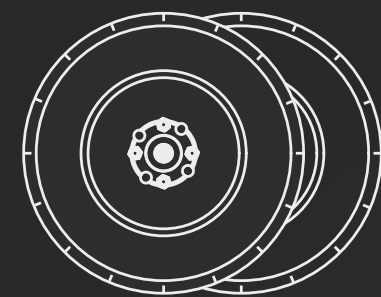
BATTERY CHARGER



BC-110V30A



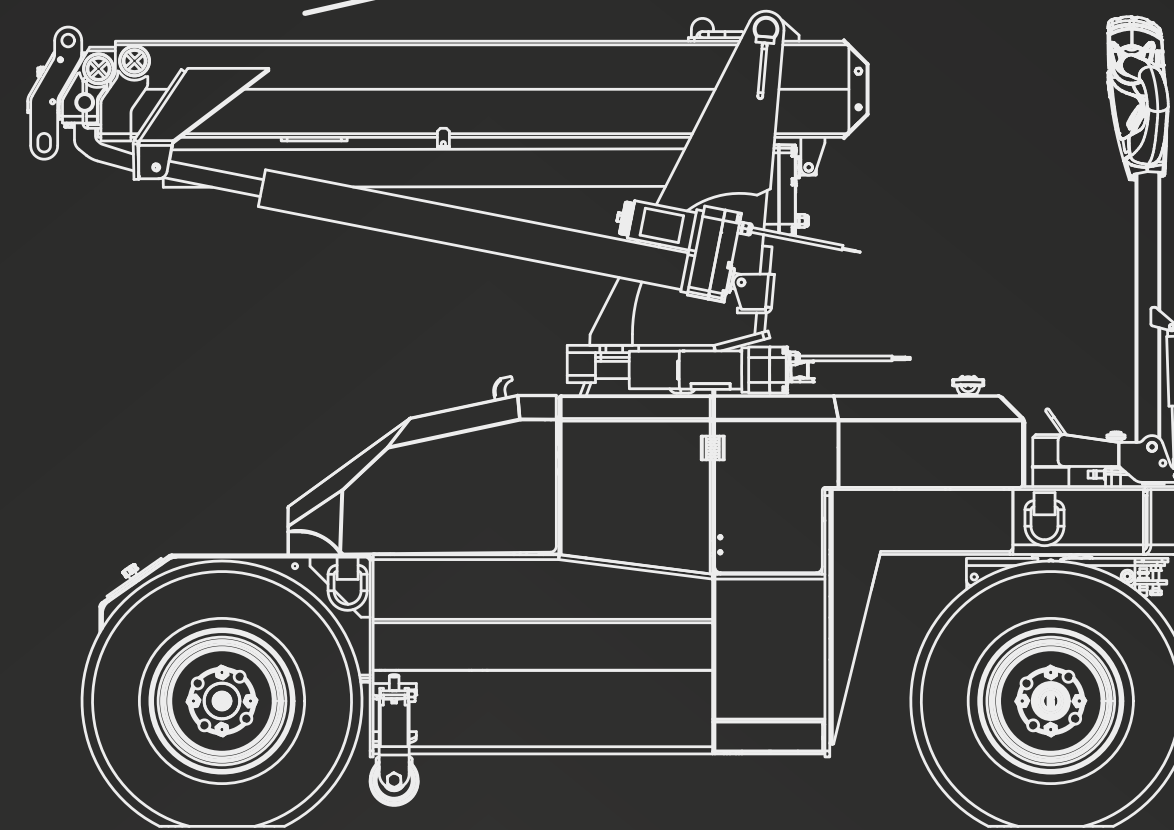
BC-220V30A



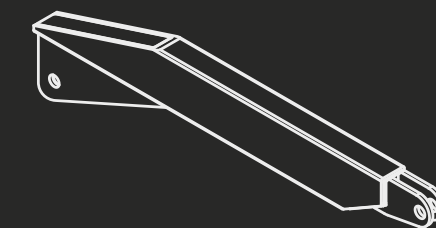
WT-MPK04-06



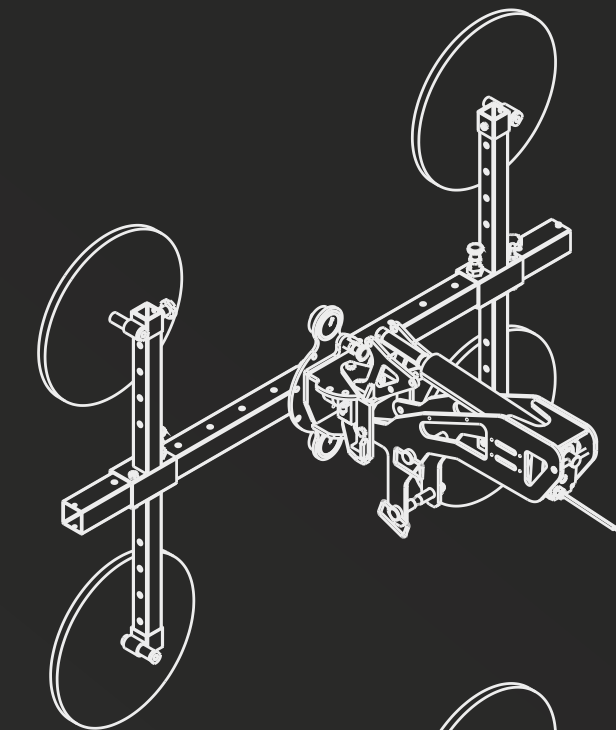
FP-MPK04-06



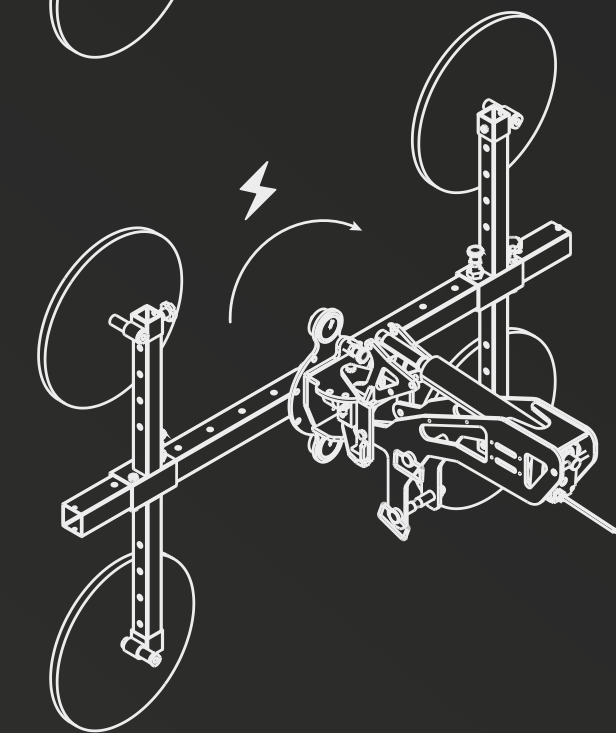
JIB & ACCESSORIES



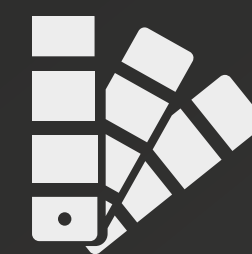
JIB-MPK06



JVM06



JVM06EV



MINIPICKER COLOUR

Boom & Covers

Frame

STANDARD

 RAL2004

 RAL7021

PC03

 RAL___

 RAL7021

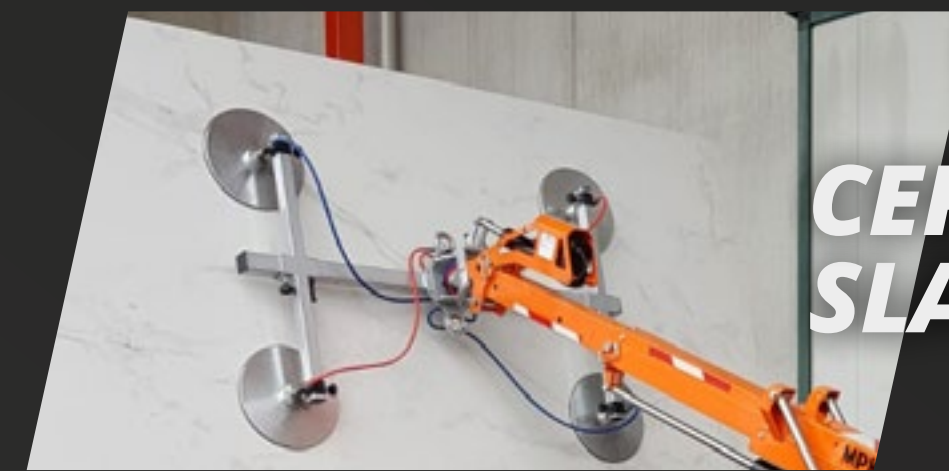
APPLICATION SECTORS



MPK06 is an extremely versatile machine which has ideal application in many sectors:



**GLASS WINDOW AND
FIXTURES INSTALLATION**



**CERAMIC AND MARBLE
SLABS HANDLING**



**ARTIFACTS
INSTALLATION**



**MECHANICAL
WORKSHOPS**



CRAFTSMANSHIP



**INDUSTRIAL
MAINTENANCE**



**AERONAUTICS,
REFINERIES**



For further info and prices:

info@jekko.it

+39 0438 1710083