

# URW-094 (0.995t x 1.5m)

# MINI SPIDER CRANE

- Total width 0.595m
- Max working radius 5.17m
- Petrol powered, optional LPG dual fuel
- Multi-position configurable outriggers
- Intelligent voice warning system
- Radio remote control as standard
- Intelligent throttle activation for economy and ecology



The URW-094 is the world's smallest and lightest mini crane. At only 595mm wide and weighing 1000kg it is ideal for manoeuvring into the most confined working areas and is narrow enough to allow access through a standard doorframe. Once in position, the URW-094 is capable of lifting heavy loads of almost 1 tonne with its 5.49m long boom allowing a maximum hook height of 5.6m.

## ADDITIONAL FEATURES



Radio remote control

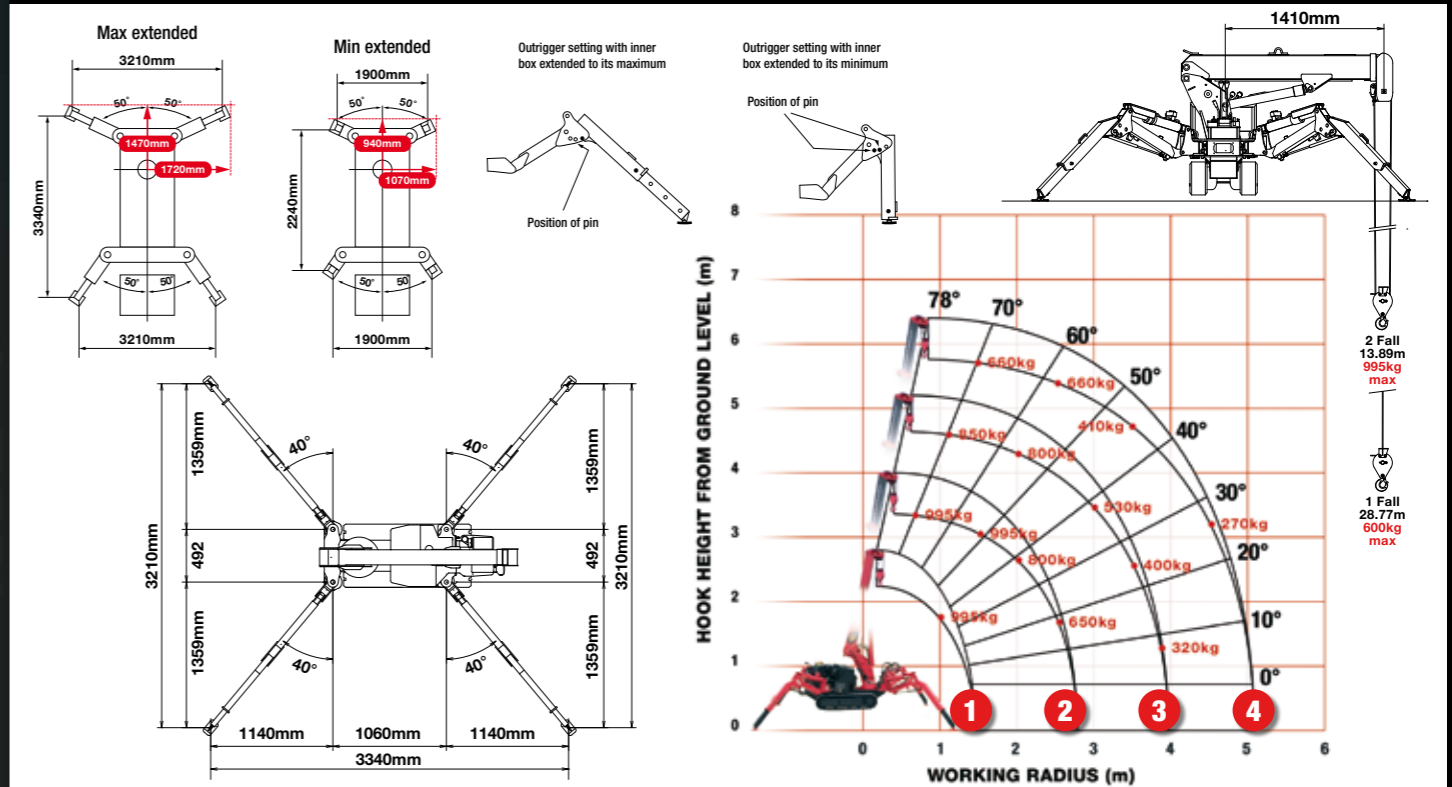


Optional full safe load indicator

## CRANE SPECIFICATIONS

Crane capacity	capacity:	0.995t x 1.5m
Max working radius	max:	5.17m
Max lifting height	approx:	5.6m
Rope length	max:	13.89m (2 fall), 28.77m (1 fall)
Dimensions	folded:	1870mm (l) x 595mm (w) x 1290mm (h)
Weight	unladen:	1000kg
Point loadings	Due to the many variables involved, point loadings are only available on request	
Hook speed	approx:	8.5m/min (with 3 layers and 2 falls)
Telescopic system	boom length:	1.73 - 5.49m
	telescoping speed:	3.76m/17 seconds
	boom type:	4 section hydraulically telescoping boom, 4 sided box beam
Derricking angle/speed	approx:	0 - 78° / 6.5 seconds
Swivelling angle/speed	approx:	360° (continuous) 1.5min rpm
Traction system	drive:	hydrostatic, stepless forward and reverse
	travel speed:	0 - 2.2km/h
	gradability:	20°
	track ground length:	900mm
	track ground pressure:	36.3kPa (0.37kg/cm <sup>2</sup> )
	track width:	150mm
Engine	manufacturer:	Mitsubishi
	fuel:	petrol (LPG dual option)
	maximum output:	5.5kW (7.5PS) / 1800min rpm
	starting method:	electric and recoil start as standard
	tank capacity:	6 litres
Standard equipment	radio remote control, overwinding alarm, computer controlled intelligent voice warning system, multi-function operation by radio remote control, intelligent throttle activation, automatic hook stop	
Optional equipment	1 fall hook block, LPG dual power, low marking tracks, optional safe load indicator (note: with this SLI option the outriggers must be pinned in their standard position of 50°)	

## RATED LOADS & OUTRIGGER POSITIONS



### FIRST STAGE EXTENDED 1.73M BOOM LENGTH

Working radius	m	up to 1.0	1.1	1.2	1.3	1.41	
Outrigger	Max-extended	kg	995	995	995	995	995
	Min-extended	kg	800	800	750	700	650

### SECOND STAGE EXTENDED 1.73 - 3.01M BOOM LENGTH

Working radius	m	up to 1.0	1.1	1.3	1.5	2.0	2.5	2.69	
Outrigger	Max-extended	kg	995	995	995	995	800	650	580
	Min-extended	kg	800	800	700	600	410	285	230

### THIRD STAGE EXTENDED 3.01 - 4.25M BOOM LENGTH

Working radius	m	up to 1.0	1.8	2.0	2.5	2.8	3.0	3.5	3.93	
Outrigger	Max-extended	kg	850	850	800	650	580	530	400	320
	Min-extended	kg	500	500	410	285	215	190	145	115

### FOURTH STAGE EXTENDED 4.25 - 5.49M BOOM LENGTH

Working radius	m	up to 2.4	2.5	2.8	3.0	3.5	4.0	4.5	5.1	5.17	
Outrigger	Max-extended	kg	660	660	580	530	410	330	270	210	200
	Min-extended	kg	360	320	220	190	145	105	80	65	65



## DIMENSIONS



## OUTRIGGER POSITIONS

